

EXPANSION ROM SOCKET
\$9000 or \$A000

48Z08 = 2 x 4KB SoftROM
48T08 / DS1643 = 4KB + 3,99KB + real time clock
28C64 / 28C256 = 2 x 4KB SoftROM (LOAD doesn't work!)
Software write protection works only with 2864,
but not with a 28256

SoftROM

for CBM/PET computers with \$9000 / \$A000 expansion ROM sockets

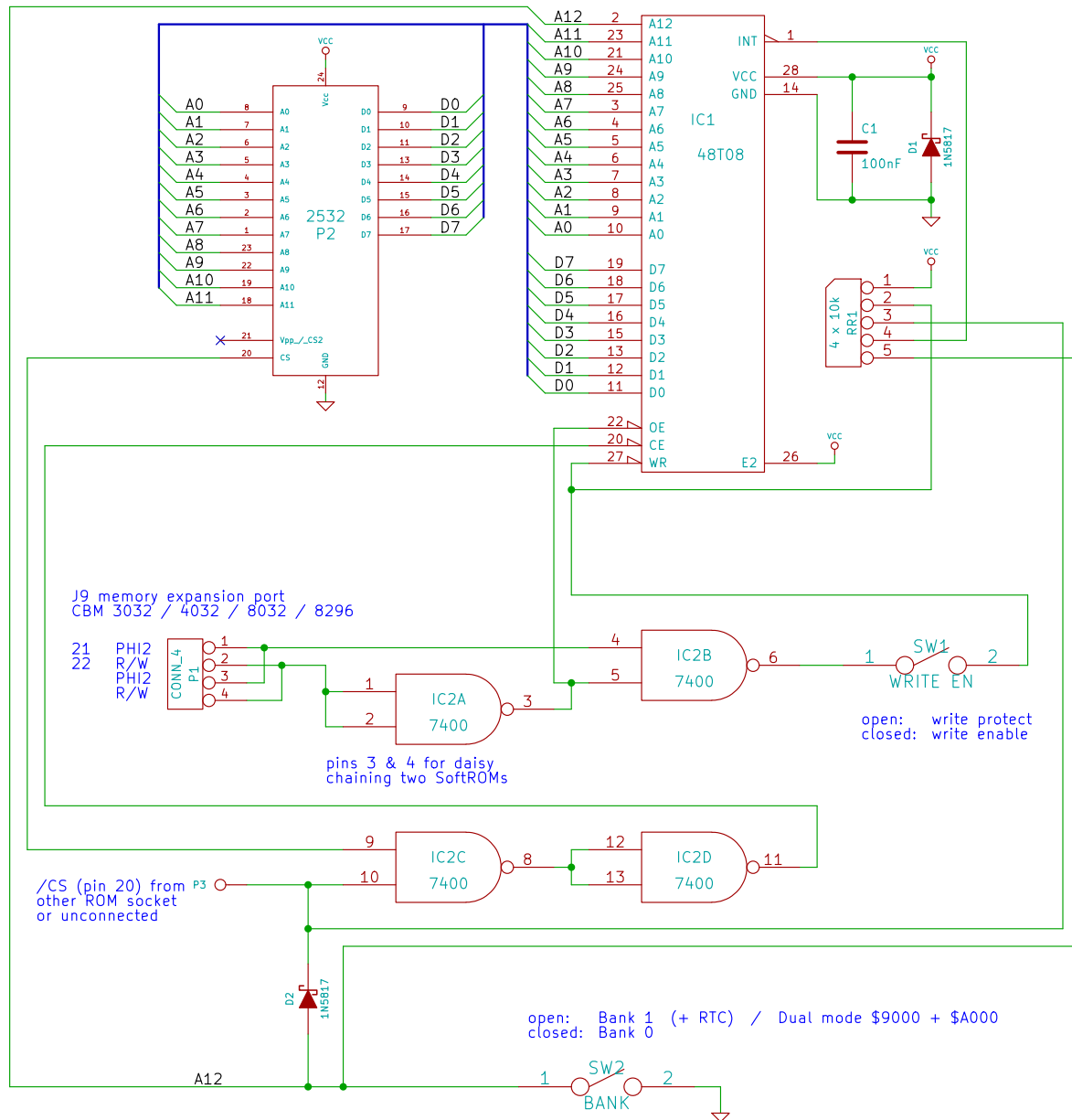
Dual mode: 4KB at \$9000, 4KB at \$A000

Plug it in the \$9000 or \$A000 socket. Connect P1 pins 1,2 to J9 pins 21,22.
Connect P3 to empty ROM socket pin 20 to use SoftROM at \$9000 and \$A000.
Set SW2 to Bank 1 / Dual mode (open).

Mono mode: 2 x 4KB

Plug it in the desired ROM socket. Connect P1 pins 1,2 to J9 pins 21,22.
Don't connect P1 pin 5. Select one of two banks with SW2.

You can daisy-chain two SoftROMs for 2 x 4KB at \$9000 and 2 x 4KB at \$A000:
Connect SoftROM 1 P1 pins 1,2 to CBM J9 pins 20, 21;
SoftROM 2 P1 pins 1,2 to P1 pins 3,4 of SoftROM1.
Connect a single write enable switch SW2 to pin 1 (rectangular pad)
on one SoftROM and pin 2 (round pad) on both SoftROMs.



Battery life: 10 years min. (55°C, Vcc=0V), 8.5 years (typ.) at 70°C

Christian Dirks / Nils Eilers		
File: SoftROM_RA.sch		
Sheet: /		
Title: SoftROM		
Size: A4	Date: 15 jun 2014	Rev: 0.2.4
KiCad E.D.A.		Id: 1/1