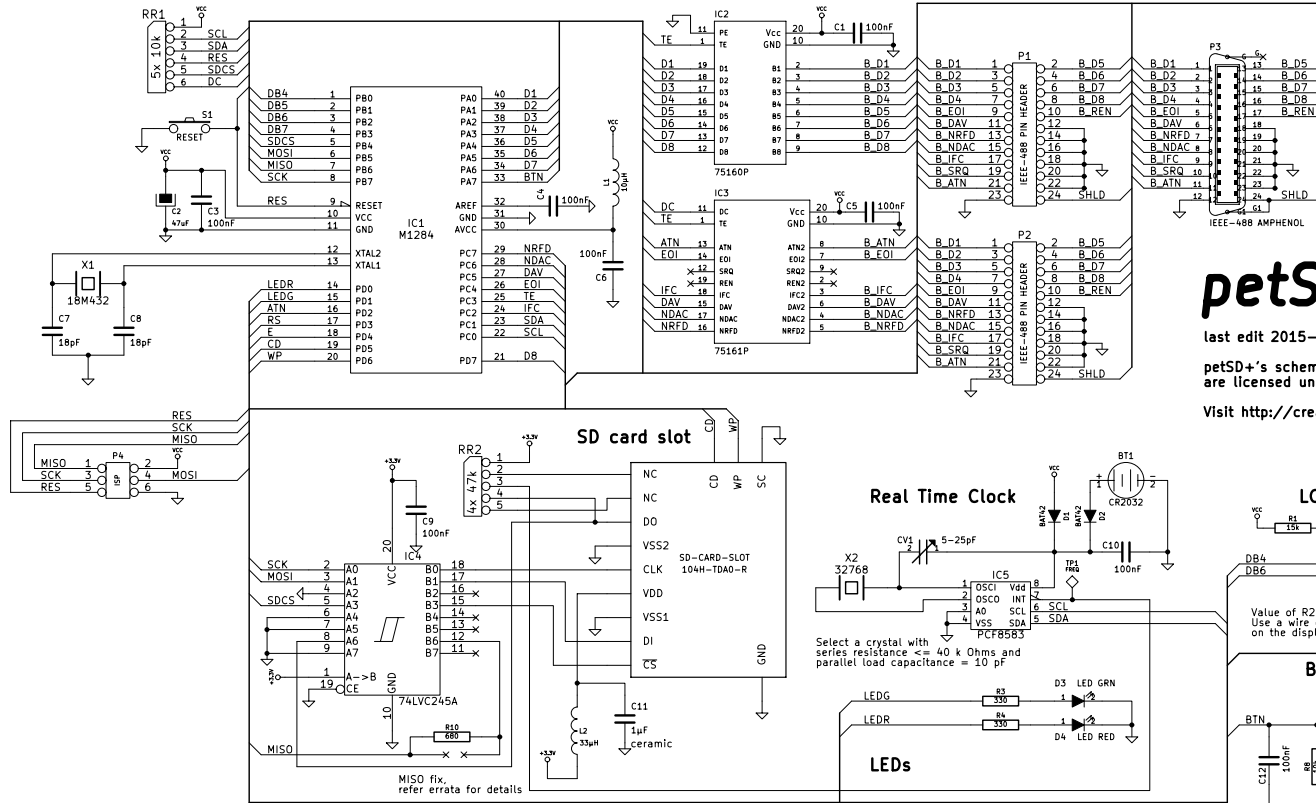


Atmel AVR ATmega 1284P

IEEE-488



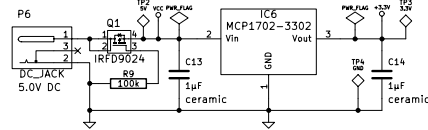
petSD+

last edit 2015-05-28

petSD+'s schematic and PCB layout by Nils Eilers are licensed under CC-BY-SA 4.0

Visit <http://creativecommons.org/licenses/by-sa/4.0/> for details

Power supply



Mounting holes

- MOUNTHOLE M1
- MOUNTHOLE M2
- MOUNTHOLE M3
- MOUNTHOLE M4

LCD

Switch Device number

- | | |
|-----|-----|
| 1 | 2 |
| OFF | OFF |
| 8 | 8 |
| OFF | ON |
| 9 | 10 |
| ON | ON |
| 11 | 11 |